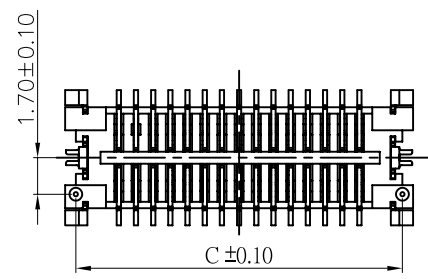
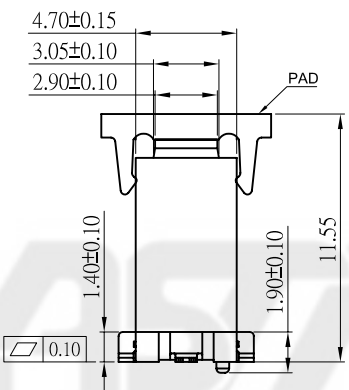
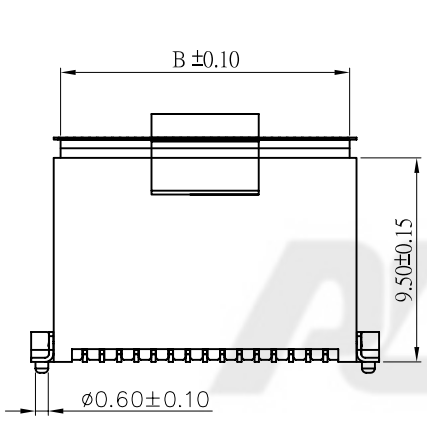
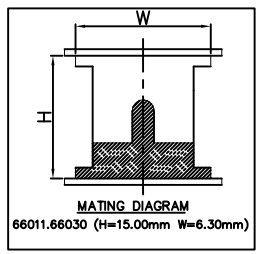
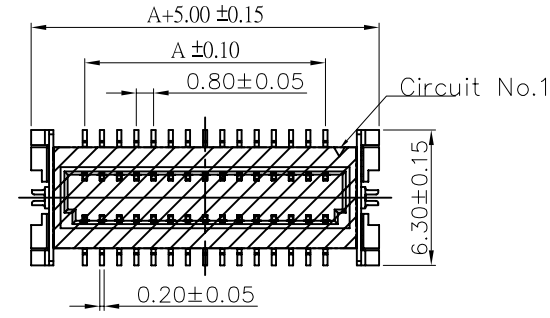


CIRCUIT NO.	DIM A	DIM B	DIM C
10	3.20	5.45	7.20
12	4.00	6.25	8.00
14	4.80	7.05	8.80
16	5.60	7.85	9.60
18	6.40	8.65	10.40
20	7.20	9.45	11.20
22	8.00	10.25	12.00
24	8.80	11.05	12.80
26	9.60	11.85	13.60
28	10.40	12.65	14.40
30	11.20	13.45	15.20
32	12.00	14.25	16.00
34	12.80	15.05	16.80
36	13.60	15.85	17.60
38	14.40	16.65	18.40
40	15.20	17.45	19.20
42	16.00	18.25	20.00
44	16.80	19.05	20.80
46	17.60	19.85	21.60
48	18.40	20.65	22.40
50	19.20	21.45	23.20
52	20.00	22.25	24.00
54	20.80	23.05	24.80
56	21.60	23.85	25.60
58	22.40	24.65	26.40
60	23.20	25.45	27.20
62	24.00	26.25	28.00
64	24.80	27.05	28.80
66	25.60	27.85	29.60
68	26.40	28.65	30.40
70	27.20	29.45	31.20
72	28.00	30.25	32.00
74	28.80	31.05	32.80
76	29.60	31.85	33.60
78	30.40	32.65	34.40
80	31.20	33.45	35.20
82	32.00	34.25	36.00
84	32.80	35.05	36.80
86	33.60	35.85	37.60
88	34.40	36.65	38.40
90	35.20	37.45	39.20
92	36.00	38.25	40.00
94	36.80	39.05	40.80
96	37.60	39.85	41.60
98	38.40	40.65	42.40
100	39.20	41.45	43.20



Rev.	ECN Number	Description	Drawn
4	CH10070154	新增20PIN規格	WEIZOU
5	CH11030126	增加包裝規範	XIHONG.LIU_03/115'11

SPECIFICATION:

- All Dimensions are in Millimeters.
- Material:
Housing: High temperature thermoplastic 94 V-0 .
Contact: Copper alloys
Contact area: gold over nickel
- Dimension shall be interpreted per "ansi Y14.5M-1994"
- Current Rating: 0.5 A AC/DC Max.
Voltage: 50V AC /DC .
Dielectric withstanding: : 500 V AC
Insulation resistance: 100M ohms min.
- Contact resistance: 70mΩ max.
- Operating Temperature: -40°~+85°
- Harmful Material Should Be Compliant To Doc "EI-0005"Standrads.
- Product number matrix:

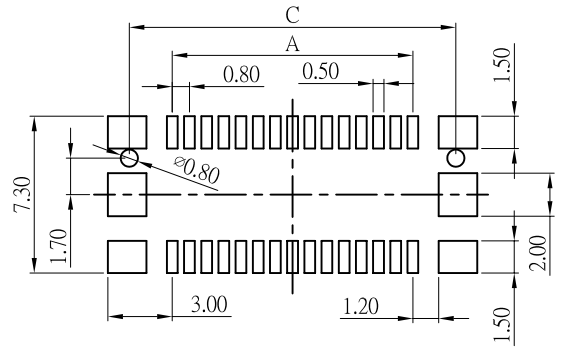
66011-XX-X-X-*-*

no. of contact ——— X ———
Contact Plating ——— X ———

Null: With halogen
H: Halogen free
NULL: TUBE(W/O FILM)
K: REEL(W/O FILM)
C: FLIM+REEL
R: PAD+REEL

0: W/O Locating peg
1: With Locating peg

Definition	Code
◎ Tin plated:	WA
◎ Gold plated:	
flash	B 15μ" F



Recommended PCB Layout
(PCB TOLERANCE ±0.05)



GENERAL TOLERANCE		SCALE	ORIGINAL DRAWN	DATE	DWG. NO.	TITLE	REV.
XX. ±	XXX. ±	1:1	TOM	04/19'04	600-0000-008	CUSTOMER_DRAWING	5
X. ± 0.30	.XXX ±	UNIT	LANE.SUN	03/115'11	PARTS NO.(INTENDED USE)		SHEET
.X ± 0.25	X.* ± 3°	MM	LISS.XIANG	03/115'11			
.XX ± 0.20	.X* ± 2°	SIZE					