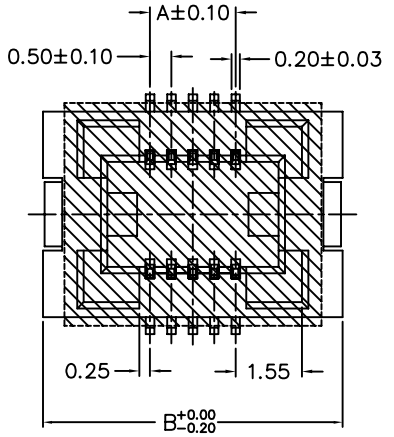


CIRCUITS	DIM A	DIM B	DIM C	DIM D
10	2.00	7.00	4.00	4.50
12	2.50	7.50	4.50	5.00
14	3.00	8.00	5.00	5.50
16	3.50	8.50	5.50	6.00
18	4.00	9.00	6.00	6.50
20	4.50	9.50	6.50	7.00
22	5.00	10.00	7.00	7.50
24	5.50	10.50	7.50	8.00
26	6.00	11.00	8.00	8.50
28	6.50	11.50	8.50	9.00
30	7.00	12.00	9.00	9.50
32	7.50	12.50	9.50	10.00
34	8.00	13.00	10.00	10.50
36	8.50	13.50	10.50	11.00
38	9.00	14.00	11.00	11.50
40	9.50	14.50	11.50	12.00
42	10.00	15.00	12.00	12.50
44	10.50	15.50	12.50	13.00
46	11.00	16.00	13.00	13.50
48	11.50	16.50	13.50	14.00
50	12.00	17.00	14.00	14.50
52	12.50	17.50	14.50	15.00
54	13.00	18.00	15.00	15.50
56	13.50	18.50	15.50	16.00
58	14.00	19.00	16.00	16.50
60	14.50	19.50	16.50	17.00
62	15.00	20.00	17.00	17.50
64	15.50	20.50	17.50	18.00
66	16.00	21.00	18.00	18.50
68	16.50	21.50	18.50	19.00
70	17.00	22.00	19.00	19.50
72	17.50	22.50	19.50	20.00
74	18.00	23.00	20.00	20.50
76	18.50	23.50	20.50	21.00
78	19.00	24.00	21.00	21.50
80	19.50	24.50	21.50	22.00
82	20.00	25.00	22.00	22.50
84	20.50	25.50	22.50	23.00
86	21.00	26.00	23.00	23.50
88	21.50	26.50	23.50	24.00
90	22.00	27.00	24.00	24.50
92	22.50	27.50	24.50	25.00
94	23.00	28.00	25.00	25.50
96	23.50	28.50	25.50	26.00
98	24.00	29.00	26.00	26.50
100	24.50	29.50	26.50	27.00
110	27.00	32.00	29.00	29.50
120	29.50	32.00	31.50	32.00
140	34.50	39.50	36.50	37.00

REV.	ECN NO.	APPD.
21	EW06120012	Everard qi



- NOTES: (UNLESS OTHERWISE SPECIFIED)
- CURRENT RATING: 0.5 AMPERE.
 - CONTACT RESISTANCE: 60 m ohms MAX. FOR INITIAL.
 - DIELECTRIC WITHSTANDING VOLTAGE: 500V AC rms./MINUTE.
 - INSULATION RESISTANCE: 100 M ohms MIN..
 - HARMFUL MATERIAL SHOULD BE COMPLIANT TO DOC. "EI-0005" STANDARDS.
 - PRODUCT NUMBER MATRIX: ZVF-XXS1-X-X-*

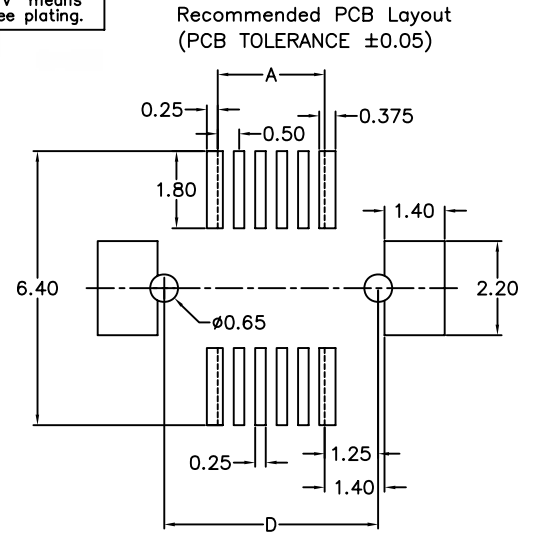
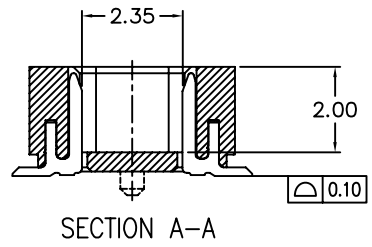
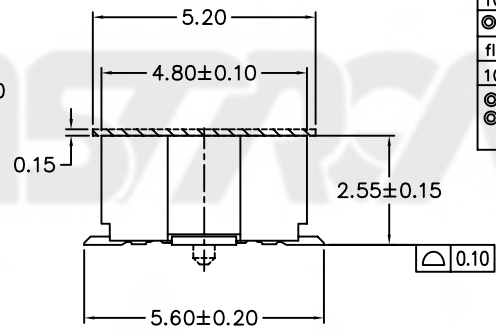
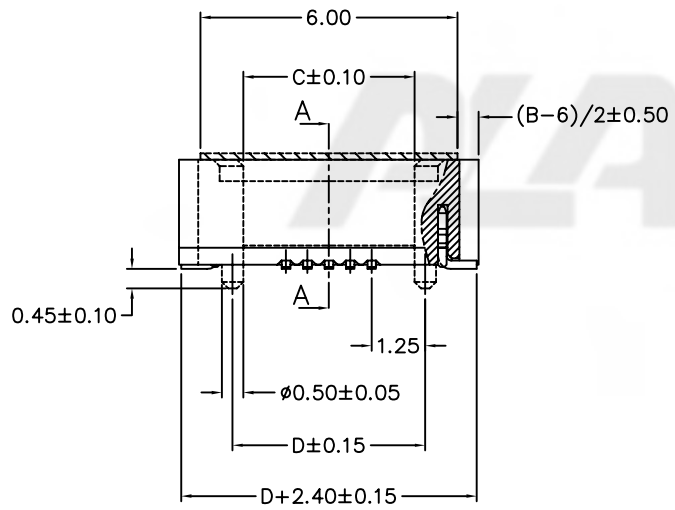
Number of Contacts: ZVF-XXS1-X-X-*

Contact Plating:

NULL:TUBE(W/O FILM)
C:FILM+REEL
F:FILM+TUBE

0:W/O Locating peg
1:With Locating peg

Definition	Code
◎ Tin plated:	A
◎ Gold plated:	
flash B 15μ" F	
10μ" E 30μ" J	
◎Duplex plating:	
flash K 15μ" P	
10μ" N 30μ" U	
◎Standard: B	
◎Prefix "v" means lead free plating.	



GENERAL TOLERANCE		SCALE	ORIGINAL DRAWN	DATE	DWG. NO.	TITLE	REV.
XX. ± 0.50	XXX. ±	1=1	林秋蘭	03'/08/08	600-0000-0203	CUSTOMER DRAWING 0.5P, Board to Board Socket type	21
X. ± 0.30	.XXX ±	UNIT	Emma shi	06'/12/05			SHEET
.X ± 0.25	X.* ± 4'	MM	Everard qi	06'/12/05			1/1
.XX ± 0.20	.X* ± 4'	SIZE	APPROVE		PARTS NO.(INTENDED USE)		
		A4			ZVF-XXS1-X-X-*		