

| CIRCUITS | DIM A | DIM B | DIM C | REMARK<br>(備註) |
|----------|-------|-------|-------|----------------|
| 10       | 2.00  | 8.00  | 3.98  |                |
| 12       | 2.50  | 8.50  | 4.48  |                |
| 14       | 3.00  | 9.00  | 4.98  |                |
| 16       | 3.50  | 9.50  | 5.48  |                |
| 18       | 4.00  | 10.00 | 5.98  |                |
| 20       | 4.50  | 10.50 | 6.48  | ●              |
| 22       | 5.00  | 11.00 | 6.98  |                |
| 24       | 5.50  | 11.50 | 7.48  |                |
| 26       | 6.00  | 12.00 | 7.98  | ●              |
| 28       | 6.50  | 12.50 | 8.48  |                |
| 30       | 7.00  | 13.00 | 8.98  | ●              |
| 32       | 7.50  | 13.50 | 9.48  |                |
| 34       | 8.00  | 14.00 | 9.98  |                |
| 36       | 8.50  | 14.50 | 10.48 |                |
| 38       | 9.00  | 15.00 | 10.98 |                |
| 40       | 9.50  | 15.50 | 11.48 |                |
| 50       | 12.00 | 18.00 | 13.98 |                |
| 60       | 14.50 | 20.50 | 16.48 |                |
| 70       | 17.00 | 23.00 | 18.98 |                |
| 80       | 19.50 | 25.50 | 21.48 |                |
| 90       | 22.00 | 28.00 | 23.98 |                |
| 100      | 24.50 | 30.50 | 26.48 |                |
| 110      | 27.00 | 33.00 | 28.98 |                |
| 120      | 29.50 | 35.50 | 40.48 |                |

ZVA-XXS3-X-1-S01-B:MPAD+REEL  
E:MPAD+TUBE

Number of Contacts  
Straight

With Locating peg

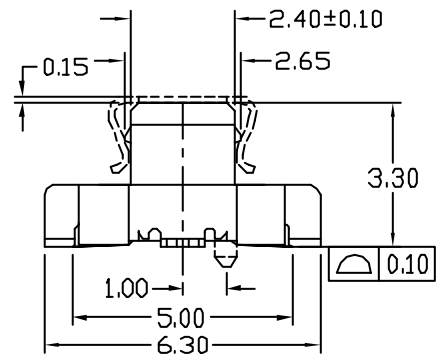
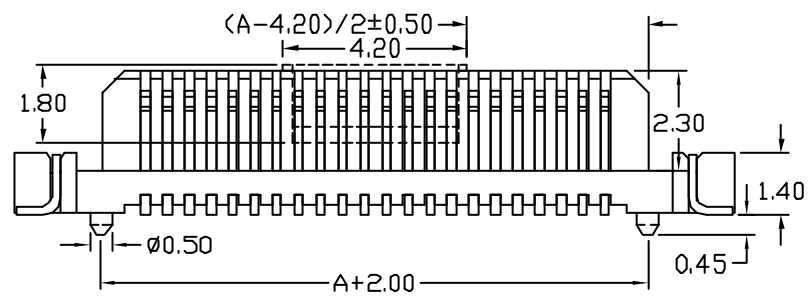
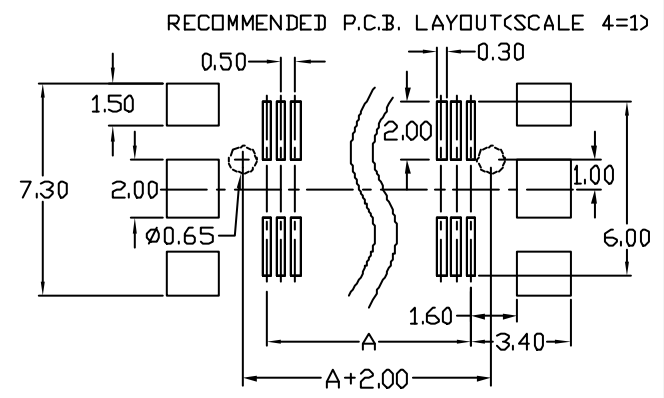
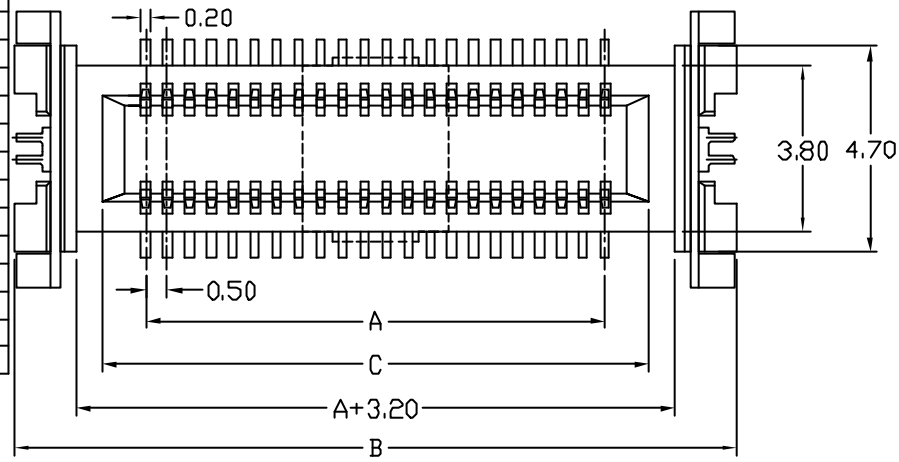
Contact Plating

| Definition     | Code |
|----------------|------|
| ◎ Gold plated: |      |
| flash B 15μ" F |      |
| 30μ" E         |      |
| ◎Standard: B   |      |

**SPECIFICATIONS**

Current Rating: 0.3 Amps  
 Insulator resistance: 100 Megohms min.  
 Contacts resistance: 60 m ohms max.  
 Dielectric withstanding: AC 500V  
 Operating Temperature: -40°~+85°C  
 Contact Material: Phosphor Bronze  
 Insulator Material: High Temperature Thermoplastic,UL 94V-0

Finish: Gold plated  
 ◎Standard:Gold flash all over



**特殊規格**

產品加 MPAD

|   |                   |             |           |             |               |                           |       |          |
|---|-------------------|-------------|-----------|-------------|---------------|---------------------------|-------|----------|
| <p>Plastron Precision Co., Ltd.</p> <p>緯翔精密股份有限公司</p> | GENERAL TOLERANCE |             | SCALE 6=1 | DRAWN 林秋蘭   | DATE 05-07-03 | DWG. NO.                  | TITLE | REV. 1.0 |
|   | XX. ± 0.30        | XXX. ± 0.30 | UNIT MM   | CHECK 陳興中   | DATE 05-07-03 | F:\DWG\CDWG\ZVA\ZVA0G.DWG | 成品規格圖 | SHEET    |
|   | X. ± 0.30         | .XXX ± 0.30 | SIZE A4   | APPROVE 陳俊任 | DATE 05-07-03 | PARTS NO.                 |       | 1/1      |
|   | .X ± 0.30         | X.° ± 4'    |           |             |               | ZVA-XXS3-X-1-S01-B        |       |          |
| .XX ± 0.30  | .X° ± 4'          |             |           |             | E             |                           |       |          |