

No. of Contacts	DIMENSIONS		REMARK (有導)	REMARK (無導)
	A	B		
8	7.62	10.16		⊕
10	10.16	12.70	⊕	
12	12.70	15.24		⊕
14	15.24	17.78		
16	17.78	20.32		
18	20.32	22.86		
20	22.86	25.40		
22	25.40	27.94		
24	27.94	30.48		
26	30.48	33.02		
28	33.02	35.56		
30	35.56	38.10		
32	38.10	40.64		
34	40.64	43.18	⊕	
36	43.18	45.72		
38	45.72	48.26		
40	48.26	50.80	⊕	
42	50.80	53.34		
44	53.34	55.88		
46	55.88	58.42		
48	58.42	60.96		
50	60.96	63.50		
52	63.50	66.04		
54	66.04	68.58		
56	68.58	71.12		
58	71.12	73.66		
60	73.66	76.20		
62	76.20	78.74		
64	78.74	81.28		
66	81.28	83.82		
68	83.82	86.36		
70	86.36	88.90		
72	88.90	91.44		
74	91.44	93.98		
76	93.98	96.52		
78	96.52	99.06		
80	99.06	101.60		

**SPECIFICATIONS**

Current Rating: 3 Amps  
 Insulator resistance: 5000 Megohms min.  
 Contact resistance: 20 m ohms max.  
 Dielectric withstanding: AC 500 V  
 Operating Temperature: -40°~+105°C  
 Contact Material: Phosphor bronze  
 Insulator Material: High Temperature Thermoplastic, UL 94V-0  
 Color : Black

Finish: Tin, Gold plated  
 ◎ Standard: Gold flash all over

SPGFZ-XXS-X-X-S06-\*

Number of Contacts  
 Straight

0: W/O Locating peg  
 1: With Locating peg

NULL-TUBE (W/O PAD)  
 P: PAD+TUBE  
 R: PAD+REEL

Contact Plating

Definition	Code
◎ Tin plated:	A
◎ Gold plated:	
flash	B 15μ" F
	10μ" E 30μ" J
◎ Standard:	B
◎ Prefix "V" means lead free plating.	

Recommended PCB Layout  
 (PCB TOLERANCE ±0.05)

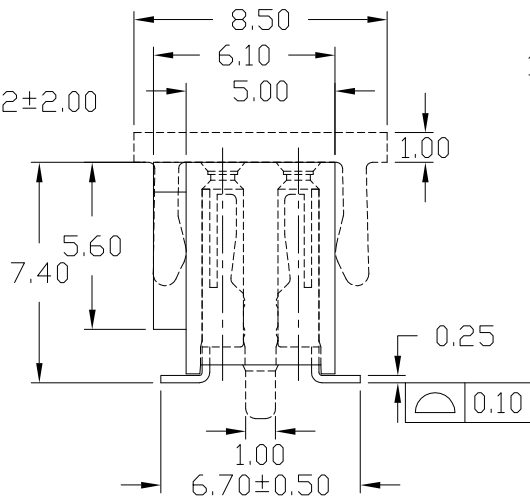
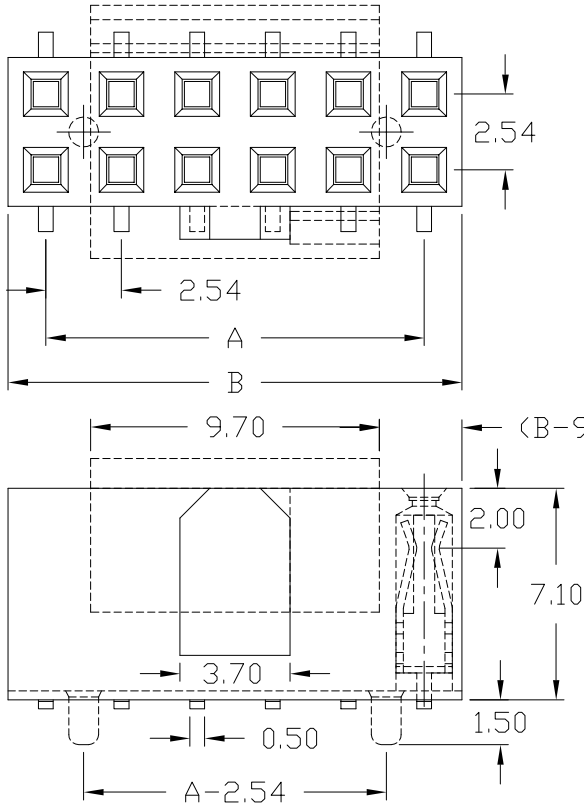
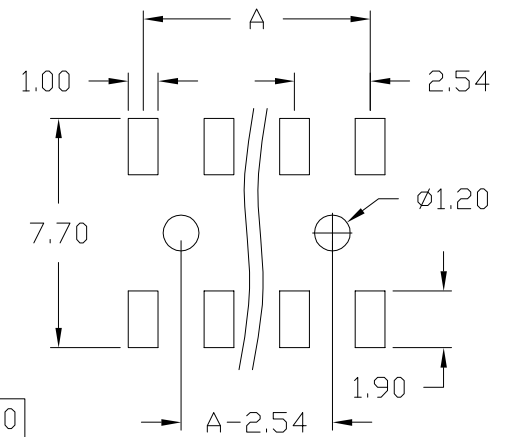
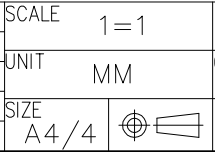


Diagram	Molding description
○	mass production & assemble mold
◎	sample & assemble mold
⊕	mass production & fix mold
⊕	sample & fix mold

Rev.	ECN Number	Description	Drawn	Date
2	DOC9212012	圖面新增10PIN	邱若婷	02/12/03'
3	DOC9212012	圖面新增40PIN	邱若婷	03'/03/17
4	EC2-590063	新增無鉛電鍍代碼	詹益東	05'/09/09



GENERAL TOLERANCE		SCALE	1=1	ORIGINAL DRAWN	邱若婷	DATE	02/12-03'
XX. ± 0.50	XXX. ±	UNIT	MM	CHECK	林錫錦	DATE	09/09/05'
X. ± 0.30	.XXX ±						
.X ± 0.25	X.* ± 4°	SIZE	A4/4	APPROVE	林錫錦	DATE	09/09/05'
.XX ± 0.20	.X.* ± 4°						



DWG. NO.	3-16	TITLE	2.54X2.54mm SMD SOCKET (成品規格圖)	REV.	4
F:\DWG\CDWG\PGF\PGFZMOX.DWG				SHEET	
PARTS NO.		SPGFZ-XXS-X-X-S06-*		1/1	